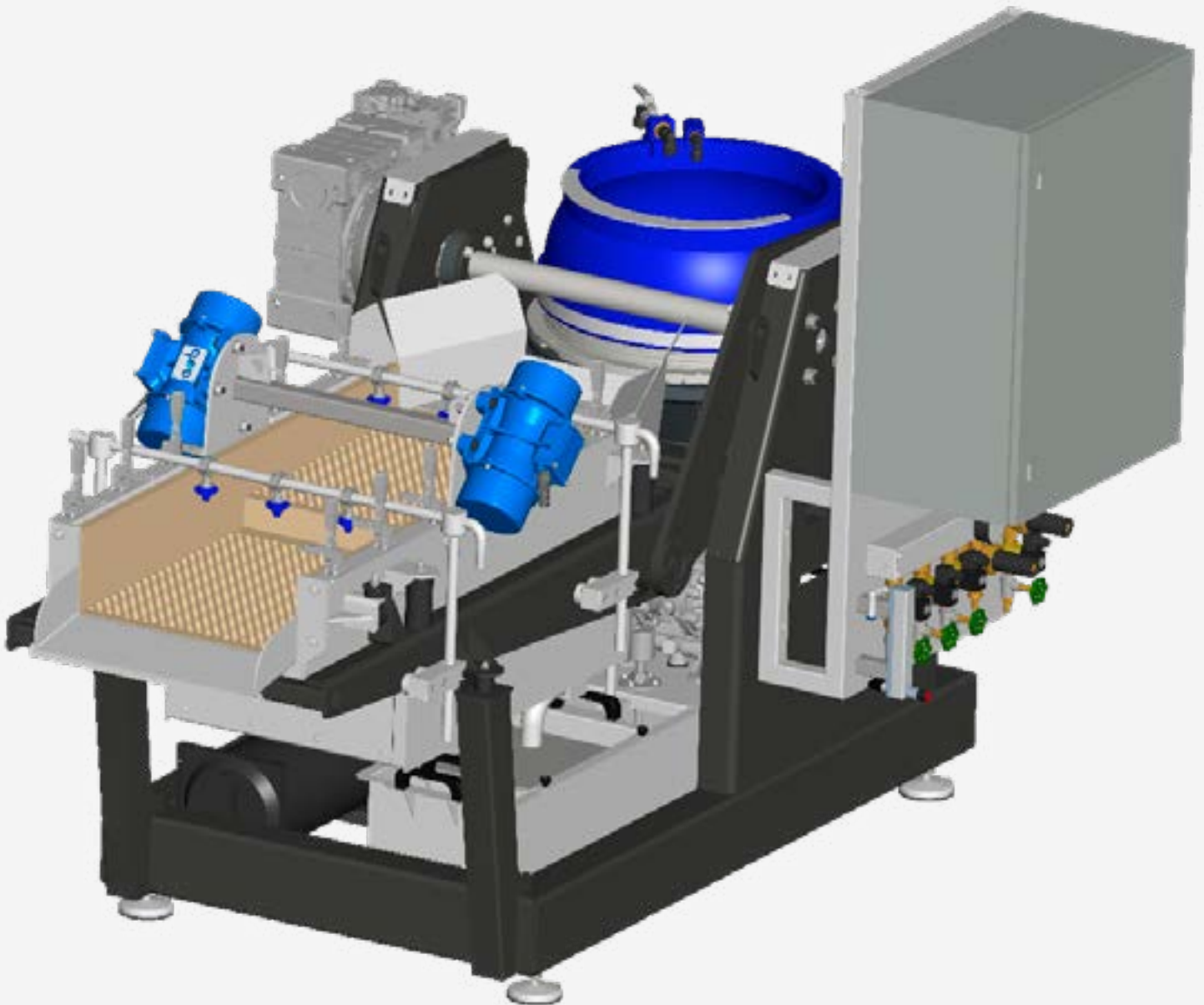


Disc Finishing with integrated Separation and media-return



Container Volume [L]	Container Ø [mm]	Power Consumption [kVA]	Voltage [V/Hz]	Dimensions W x D x H [mm]	Weight [kg]
60	525	7.00	400/50	1750 x 2400 x 1600	1.200

Subject to technical changes